



EQUI=TECH

BALANCED POWER TECHNOLOGY

Equi-Tech Balanced Power Wall Panel Systems

Award winning Equi=Tech Wall Cabinet Systems are factory pre assembled power distribution centers for hard wiring balanced AC power into a facility – a complete balanced power distribution system built into a wall cabinet. Only minimal installation is required eliminating many expensive hours of labor and hard to find electrical parts. All the necessary components such as transformer, breakers, GFCIs, surge protectors and line filters are factory assembled using the highest quality materials and components.

Wall systems are designed to blanket an entire facility with clean and phase coherent balanced AC power that remains stable regardless of how they are loaded down. 5, 7.5, 10, 15 and 20 kVA sizes provide 50, 75, 100, 150 or 200 amps respectively – ideal capacities for most studios and modestly sized theaters or auditoriums.

Wall system's components are housed in a sturdy NEMA 12 steel cabinet and feature a rugged industrial-duty AC distribution panel board with commercial grade circuit breakers, ground fault circuit interrupters and optional EMI/RFI line filters for each circuit per request. Two models, the 15WQ and 20WQ have a 2-part cabinet with an additional lower section that houses a massive toroid transformer. The cabinets are available in black or light gray with a chrome latching handle and an enamel white interior. Wall cabinet systems have been tested safe and are built in standard compliance for power distribution equipment.

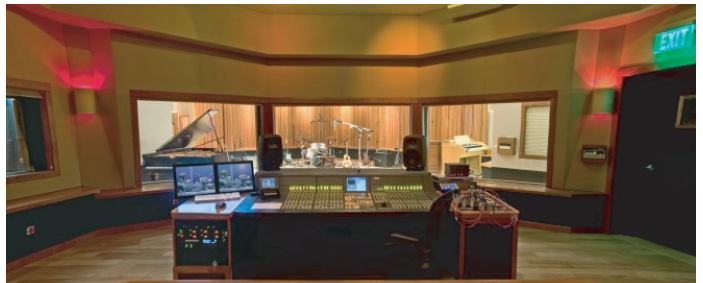
All Equi=Tech Wall Cabinet Systems are built around revolutionary Equi=Tech Q-type isolation transformers. Q-type toroid transformers are designed with extremely low impedance. They are wound with double Faraday shields that provide superior isolation (>100dB CMR) from high frequency RF, EMI and nuisance harmonic currents. "Q" transformers are designed to run acoustically silent even in locations where there is considerably high utility line distortion and very poor power quality. They are much larger than standard toroids with an equivalent power rating and they run just slightly warm when operated near their rated current limit. A proprietary winding design eliminates high inrush current issues that are common with most toroid transformers. They also provide the widest possible broad band noise attenuation and distortion-free playback under the most trying of conditions. Their performance is exceptional where power hungry amplifiers might otherwise choke during periods of high peak current demand when powered by a conventional AC supply. "Q" transformers add tightness and startling definition to low frequency music. In rooms with less than ideal acoustical features that are known to have a negative impact on low frequency sonic quality, they will restore the tightest bass with astonishing never-before-heard clarity and they will do it with ease. They are a must for recording studios that do mastering work and for high definition audiophile stereo systems.

Model 10WQ Specifications

KVA	10
Phase	1
Primary Voltage	208/240
Secondary Voltage	120
Frequency	60Hz
Impedence	2.8%
Leads	TEW/UL1015
Windings	Copper
Temp. Rise/Insulation	50C/105C
Shields	2-Electrostatic
Isolation (CMMR)	>100dB
Voltage Reg. (NL/FLA)	+/- 2.5%
Cont. Duty	83 Amps
Circuits	10-20a
Enclosures	NEMA
Dimensions:	42HX30WX8D
Weight	400lbs.



Beatstreet, NYC



Sony Recording Studio, NYC

*Additional EMI/RFI Digital Filtered Circuits are available at \$120/filter and OFC Wire is an additional option at \$1,100

Note: A current listing of recording facilities using Equi=Tech balanced power wall panel systems is available upon request.

Wall System Wiring Instructions

The following instructions are intended to be used only as a guide and are not intended to supersede or replace any local building code ordinances.

1. Run a feeder circuit (208V or 240V) with a grounding conductor to the lower section of the wall cabinet and connect the two circuit conductors as follows: **Black** - always used and **Orange** for 208V or **Red** for 240V. **No neutral wire is required.** It is recommended that the feeder circuit for the wall system be protected by dual element time delay fuses (Class N or equal) or a 2-pole HACR type circuit breaker. Use the table below to determine minimum conductor sizes.

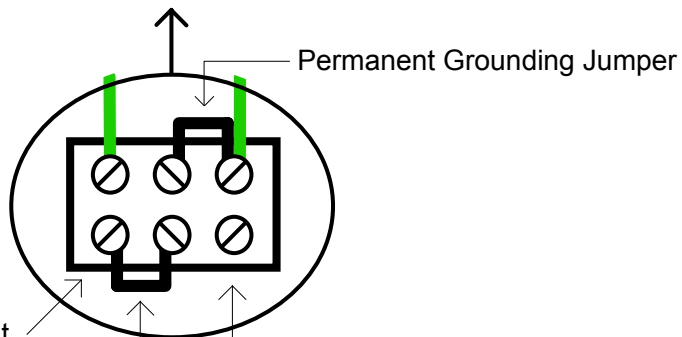
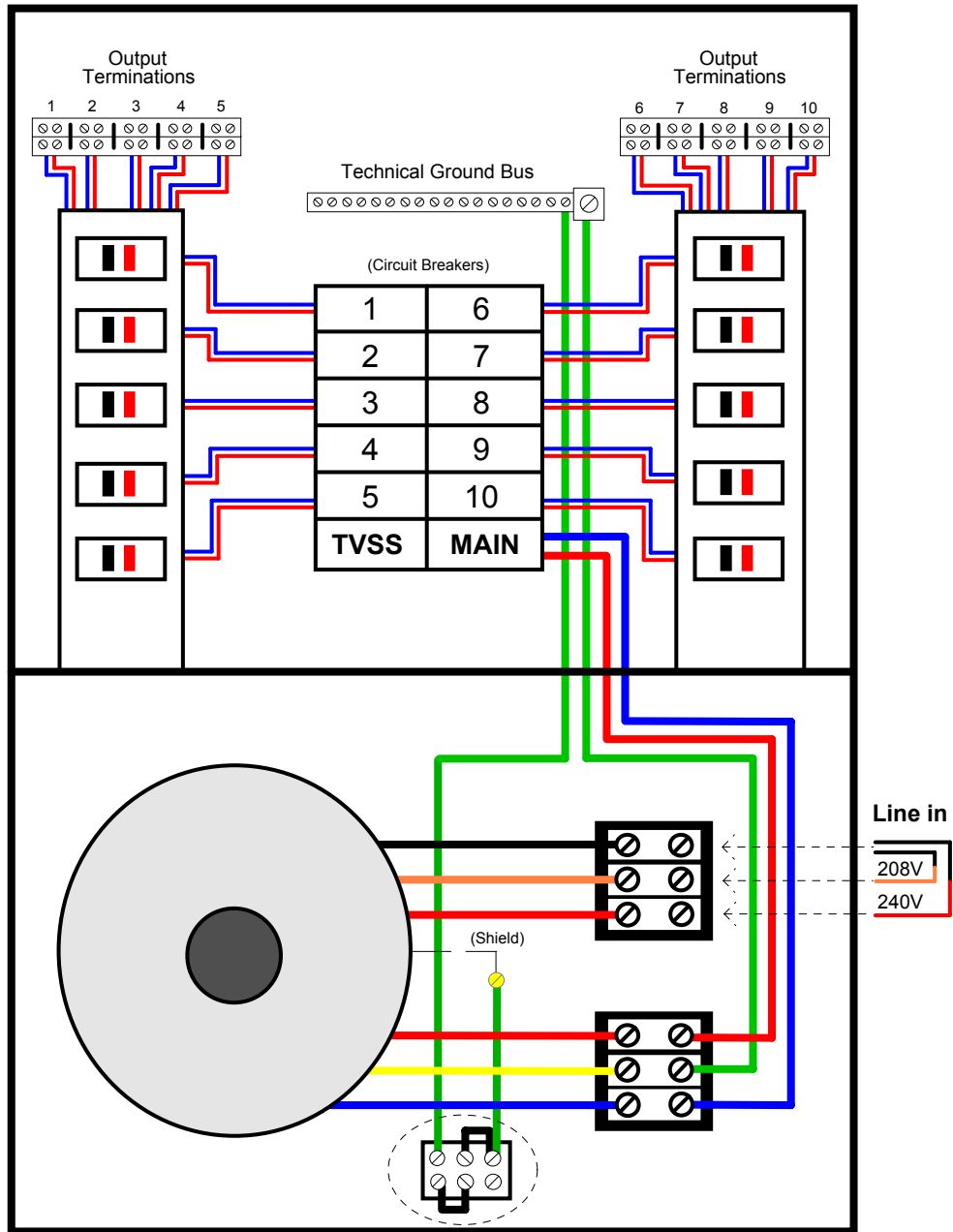
Note: All conductors entering the wall system must be rated at 90 deg. C or higher

2. Connect the feeder circuit's grounding conductor to the electrical equipment grounding terminal in the lower compartment of the wall system cabinet. (See illustration).
3. If you are setting up an isolated grounding system, remove the jumper shown in the attached illustration and run an additional insulated grounding conductor to the "Isolated Equipment Grounding Terminal" in the wall cabinet system. See the Equi-Tech Technical Support Bulletin: "Installing a Technical Grounding System" for additional grounding information. Also refer to the National Electrical Code Article 530 Part "G" for more general wiring information.
4. Connect all of the branch-circuit conductors that feed the technical power outlets to the output terminals in the wall system. These are located near the top of the cabinet. (See illustration). **EMI/RFI filtered circuits are indicated with a colored dot on the GFCI device.** Filters are not recommended for circuits used with power amplifiers and analog preamps because the filter's choke may limit current transients which affect sound quality and equipment performance.

Note: On some models, if a 30-amp circuit has been provided, there is no GFCI device used on that circuit.

5. Connect the branch-circuit isolated ground wires to the "Technical Ground Bus" in the wall system. If conduit or MC cable is used for branch circuit wiring, be sure to use an insulated grounding conductor.
6. For safety, all GFCI devices in the wall system must be tested monthly. This is done by pressing the black "test" button on the GFCI device. When pressed, power on that circuit should be interrupted. If this fails, the GFCI device must be replaced. (Leviton Part #6490-W or equiv.) To reset the GFCI and restore power, press in the red button.

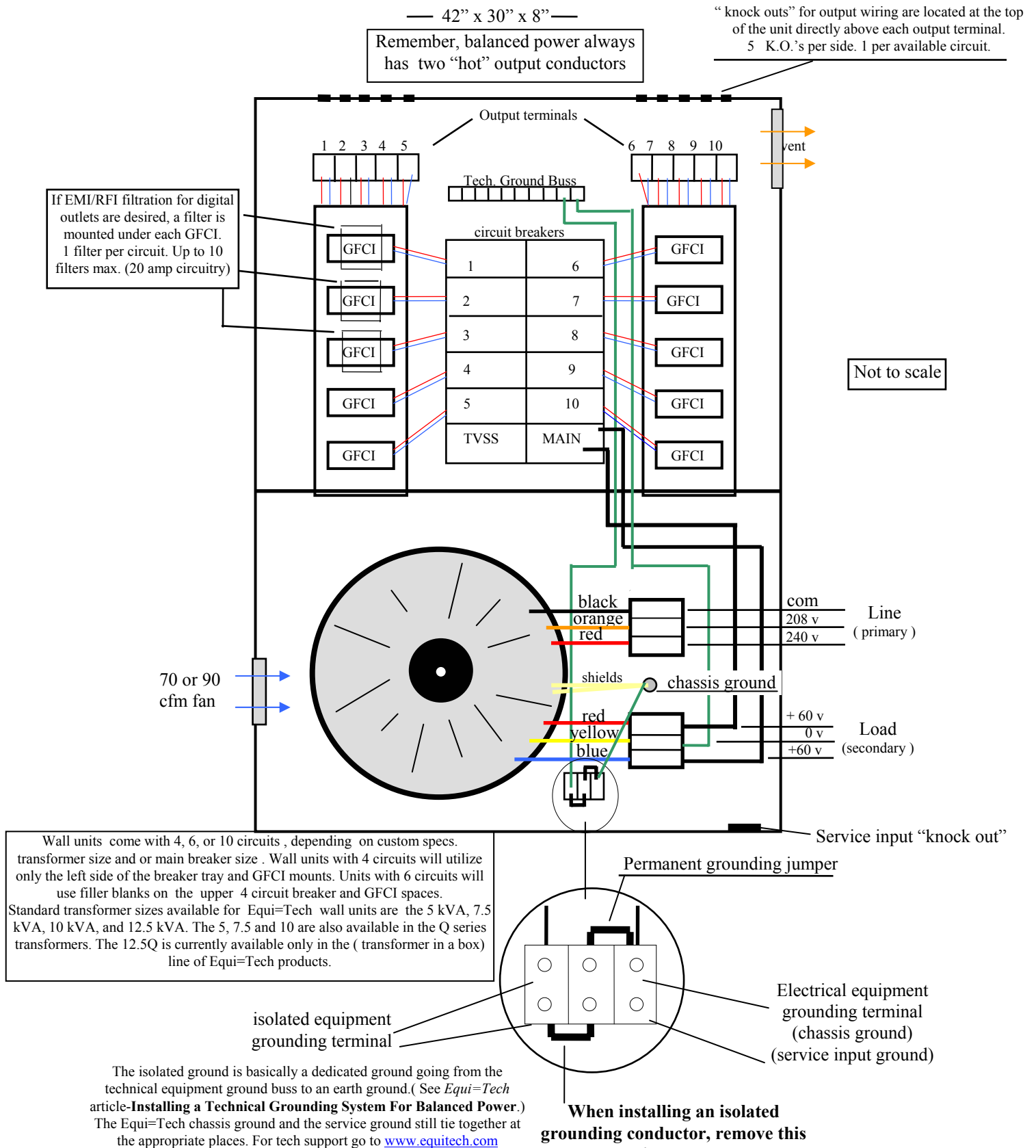
Model No.	Continuous Load Cap.	Feeder Size	Feeder Wire (Cu)	Grounding Wire (Cu)
5WQ	40A	30A	#10 ga.	#8 ga.
7.5WQ	60A	40A	#8 ga.	#8 ga.
10WQ	83A	50A	#6 ga.	#8 ga.
15WQ	112A	70A	#4 ga.	#6 ga.
20WQ	168A	80A	#2 ga.	#2 ga.



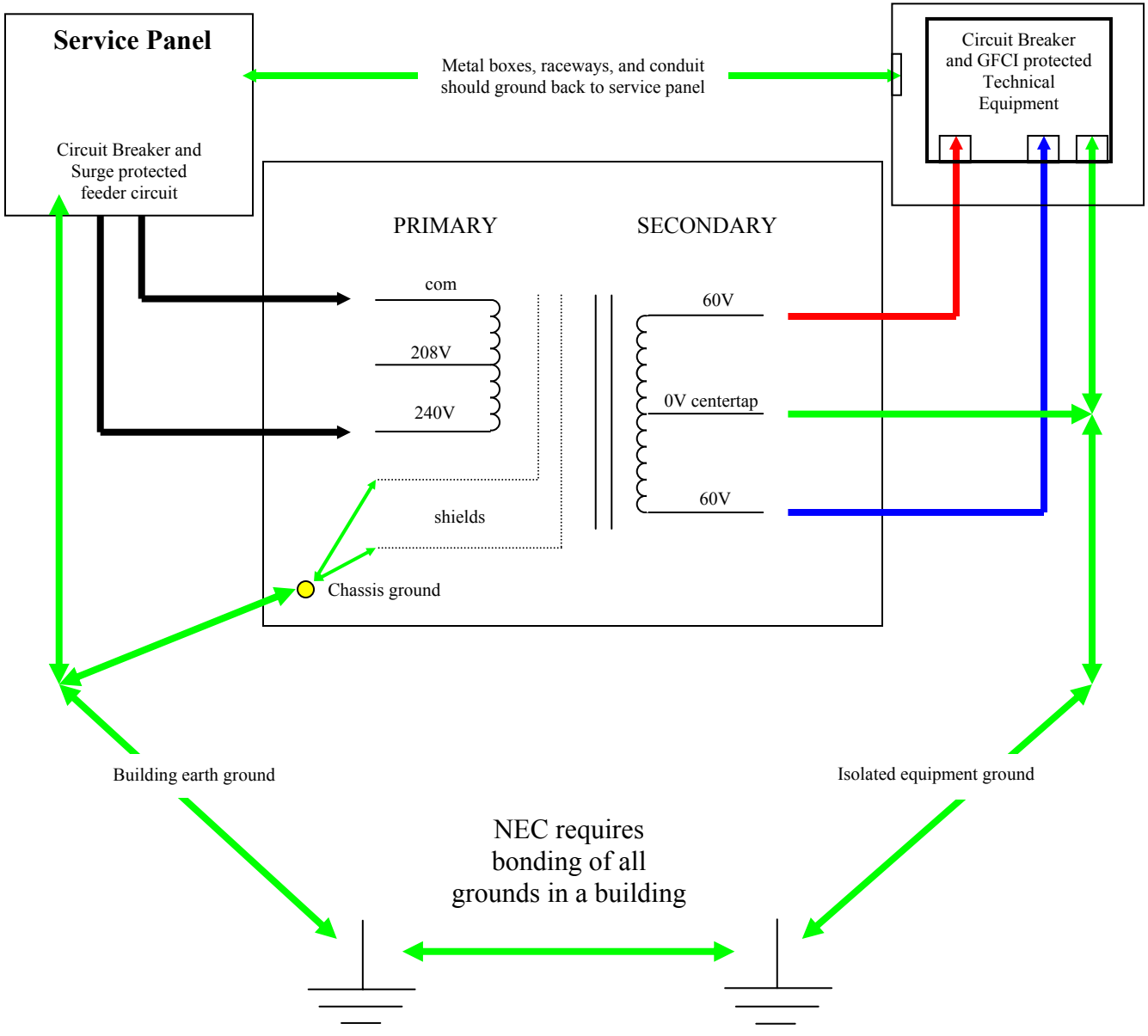
When installing an isolated grounding conductor, remove this jumper.

Diagram shown pertains to 10WQ Wall Panel System - Not applicable for all Wall Panels

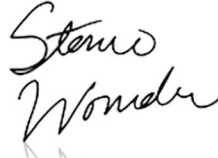
Equi=Tech wall wiring diagram



The isolated ground is basically a dedicated ground going from the technical equipment ground buss to an earth ground. (See *Equi=Tech* article-**Installing a Technical Grounding System For Balanced Power.**) The Equi=Tech chassis ground and the service ground still tie together at the appropriate places. For tech support go to www.equitech.com



Our client list speaks for itself...



ARTISTS

Elton John
Neil Young
Stevie Wonder
Britney Spears
Eminem
Norah Jones
Herbie Hancock
Christina Aguilera
Bob Dylan
Aerosmith
Sheryl Crow
BB King
Ricky Skaggs
Harry Connick, Jr.
Ricky Martin
Steely Dan
Ozzy Osbourne
Lenny Kravitz

UNIVERSITIES

UCLA
SUNY
University of Colorado
University of Texas
Oregon State University
Ohio State University
University of Alabama
Auburn University
San Diego State University

Fudan University, China
Princeton University
University of Washington
Rutgers University

PRODUCERS/ ENGINEERS

Roger Nichols
Phil Ramone
Bruce Swedien
Frank Serafine

LIVE SOUND/THEATER

Universal Amphitheater
Pro Mix
Cirque du Soleil
The Mirage
Audio Analysts
Benaroya Theater

RELIGIOUS BROADCAST

Good News Broadcasting
In Touch Ministries
Crystal Cathedral
Hearts of space
Hillsong Church (Australia)

STUDIO DESIGNERS

John Storyk
Chris Pelonis
Christopher Huston
Westlake Audio

TV/RADIO

National Public Radio
Regional Mapeleaf Comm.
KITV (FOX Honolulu)
KHON (ABC Honolulu)
Hughes Satellite Comm.
FOX Broadcasting
ABC Sports

RECORDING STUDIOS

The Plant
Glenwood Place
Ocean Way Recording
Avatar Studios
Wonderland Studio
Sony Recording Studios (NYC)
Gentleman's Club
NRG Studios
Hacienda Studios
Hollywood Records
A&M Records
OZ Audio and Post
Atlantic Records

A/V - POST FILM

Todd A/O
Warner Foley Studios
Warner Sound Dept.
Skywalker Sound
Mike Post Studios
Sony Post Productions

MANUFACTURERS

Digidesign
Euphonix
Mackie
Manley Labs
Mesa Boogie Amplifiers
Sony CD Manufacturing
Solid State Logic
Speck Electronics
SLS Loudspeakers
Royer Labs
Apogee
Audio Technica
Crown

OTHER INDUSTRIES

Microsoft
NASA/JET Propulsion Lab
National Science Foundation
Gemini Observatory (Hawaii)
Lawrence Livermore NL
Upjohn Laboratories
Oakridge National Laboratory
FAA (Air Traffic Control)
Ligo Observatory (Cal Tech/MIT)
US Navy Research Lab (DC)
Library of Congress

A more comprehensive client list is available upon request